

ARCHIPEL 17ICP



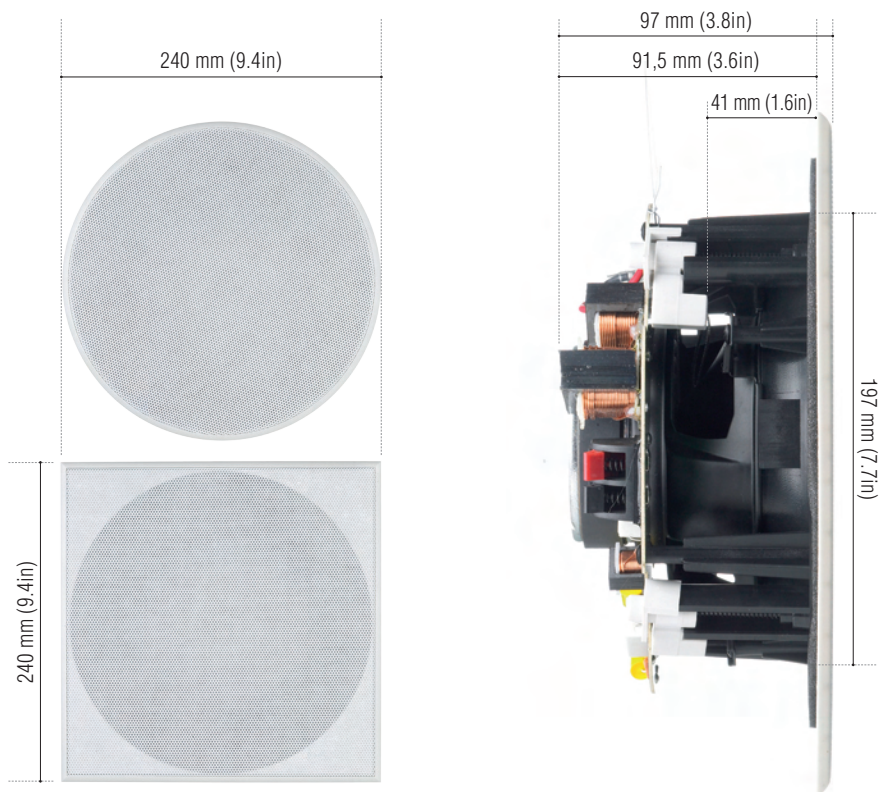
ARCHIPEL 17ICP

ARCHIPEL 17ICP

The Archipel range of loudspeakers is designed for perfect integration in ceilings and walls, with no performance compromises. Developed with the same passion that goes into the technical and acoustic design of all Cabasse loudspeakers, the range offers the same presence, high fidelity sound reproduction and user benefits that are to be found in all the company's products.

The 2-way co-axial model, ARCHIPEL 17ICP, incorporates the technical solutions originally developed for the highly successful Jersey and Antigua loudspeakers. It is fitted with a pivoting tweeter and, as for all the Archipel models, comes supplied with two sets of grilles : one round and one square, both with magnetic link fastening. One quality of sound, two aesthetic options.

Cabasse



Use	in ceiling / in wall
Ways	2
Drivers	<ul style="list-style-type: none"> ■ 1 x DOM24 pivoting tweeter soft dome membrane ■ 1 x 17T15 IC midrange-woofer P2C diaphragm
Cross-over point	3,500 Hz
Frequency response	48 Hz - 21,500 Hz
Sensitivity 1 W / 1 m	87.5 dB
Nominal impedance	8 ohms
Minimum Impedance	8.3 ohms
Power handling	35 W
Peak power	280 W
Dimensions (H x W x D)	24 x 24 x 9.7 cm - 9.4 x 9.4 x 3.8 in
Weight	1.3 kg - 3 lbs
Standard finish	white (paintable grill)

Cabasse

Cabasse SA - 210, rue René Descartes - BP 10 - 29280 Plouzané - France

Tel +33 (0)2 98 05 88 88 - Fax +33 (0)2 98 05 88 99

www.cabasse.com